

OPUS[®]

www.opuscamper.co.za

+27 12 998 9340

OPUS Folding Camper

OPUS is a revolutionary folding camper. It is ultra-lightweight and extremely easy to tow, even with a small car. Its low profile allows for all round visibility, so you can hitch up and drive away with confidence. But don't let its stature fool you. It is strong, rugged and extremely clever. With two reinforced lids and a universal racking system OPUS is the perfect load-carrying platform. Carry boats, carry bikes, carry kayaks, carry kites, carry anything, carry everything and with the OPUS Moto you can even carry two Motorcycles.

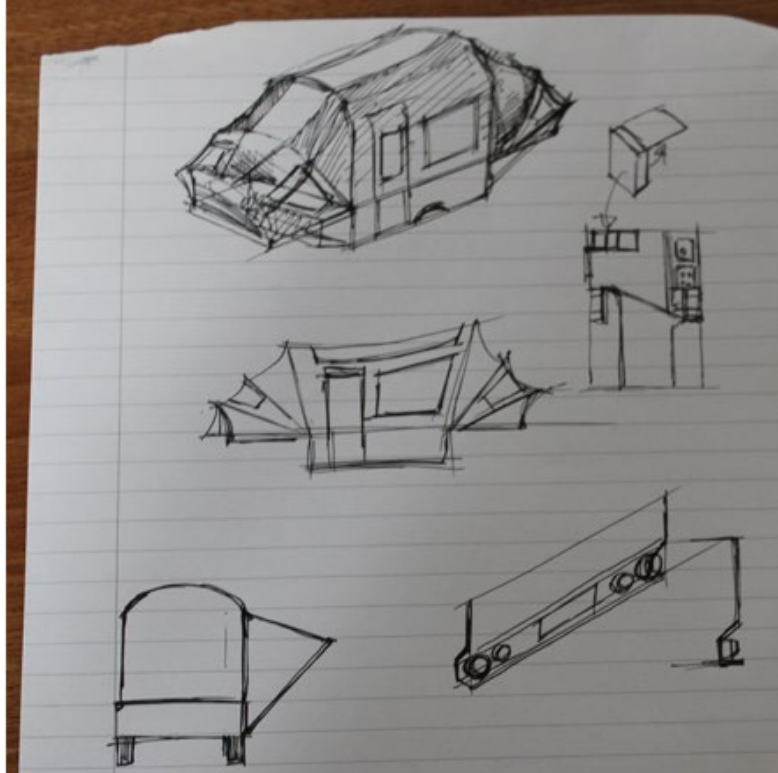
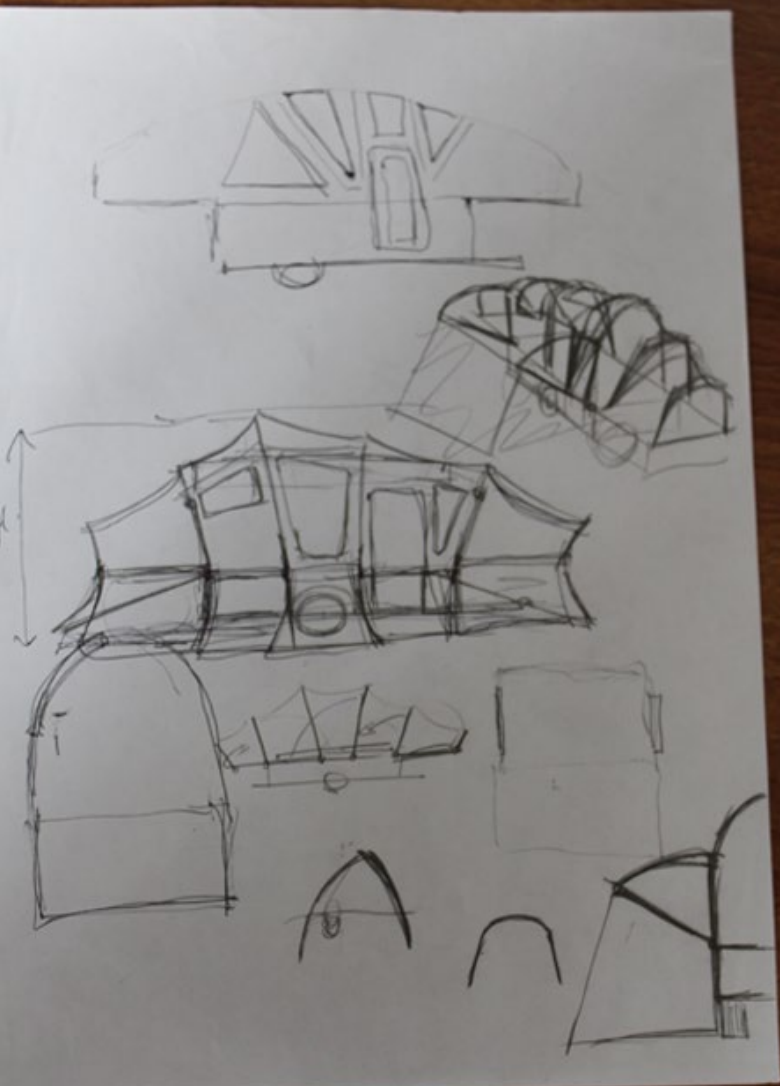
At OPUS we don't think you should have to choose between practicality and comfort, so we match all of our practicalities with pure luxury. Soft double beds for the perfect nights sleep. Plush leatherette seating for a comfortable place to relax. Stainless steel sink with running water, kitchenette with gas hobs and a refrigerator, heating, lighting, plug sockets, the list goes on and on. All of which make OPUS inviting, relaxing and comfortable.

OPUS means freedom. The freedom to roam, the freedom to discover, the freedom to travel... wherever you want, whenever you want.

OPUS is all about you. OPUS enables you to create unforgettable memories with family and friends. Whether you are visiting your favourite Beach Front Camping Site, roaming the continent on the look out for new adventures and experiences or using OPUS as a base camp for your favourite outdoor pursuits, OPUS is all about you! After a long day, OPUS provides you with the luxury you deserve.

For fun-loving, trail-blazing, thrill-seekers... everywhere.

Start your adventure today with OPUS





OPUS Technical Specifications

Dimensions

Overall Length (closed) inc.drawbar	416cm
Overall Width	195cm
Internal Length (main body section)	283cm
Internal Width (main body section)	188cm
Towing Height	117cm
Wheels	175/65 R14
Overall Length (erected)	580cm
Interior Height (max)	244cm
Bed Size 1	190 x 140cm
Bed Size 2	190 x 140cm
Full Awning Width (optional)	620cm
Full Awning Depth (optional)	240cm

Weights

TARE	680kg
GVM	750kg
User Payload	500kg

← OPUS®



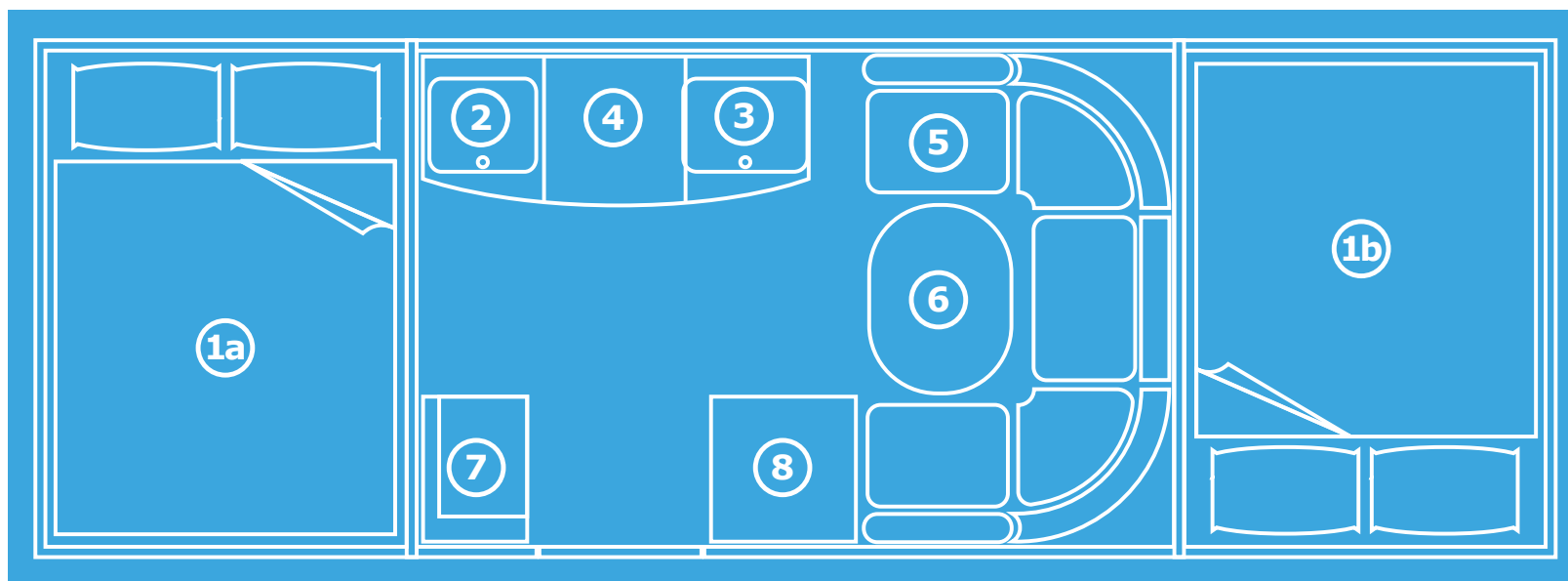
← OPUS[®]



OPUS Interior

The OPUS interior has been specially designed by our UK and Australian design team to be functional, accessible and luxurious. Finished to the highest quality the OPUS interior gives you everything you need to be comfortable and enjoy your trip. Whether you are spending a night in the OPUS or a month, you can be sure that you are fully equipped and comfortable.

Not only does the OPUS interior benefit from luxury and practicality but it is also light and spacious. With windows, sky lights, and electric lighting OPUS will never leave you in the dark! The ceiling height of nearly 2.5 metres means there certainly is enough room to swing the proverbial cat.



- | | |
|--|--|
| 1. Fixed Double Bed Areas with Inner Privacy Tents. | 5. Seating Area (with optional single bed). |
| 2. Stainless Steel Sink with Glass Lid. | 6. Table (dismountable). |
| 3. Two Burner Gas Hob with Piezo Ignition and Glass Lid. | 7. Storage Locker (extra storage also under seating area). |
| 4. Work Surface with Drawer Unit. | 8. Space for Optional Fridge. |



OPUS®

OPUS[®]



OPUS®

OPTIONS

Exterior, Interior, Accessories

OPUS Options - EXTERIOR

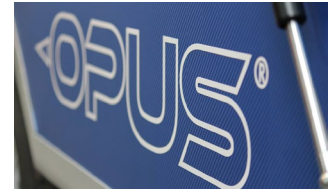
Premium Body Colours/Finishes

If our Classic OPUS Colours aren't quite your bag, or you are looking for something in particular (maybe a colour match to your car or the colours of your favourite teams jersey) then we offer a whole host of premium colours. Simply choose your colour and we will have your OPUS custom wrapped in long life vinyl for you by our expert body engineers. To view our premium colours head over to the OPUS configurator now and create Your Dream OPUS.



Luxury Body Colours/Finishes

Some of you may want something special, and we mean really special. Our luxury colours/finishes really give you that wow factor. How about a carbon fibre finish OPUS? Maybe you like the idea of a matte black OPUS? You may even want a leopard print OPUS (who are we to judge?). Whatever finish you want we will get. We have a variety of the most popular luxury finishes in our configurator but if you want something we haven't got listed then do let us know.



OPUS Logo Decal Customisation

If you like our OPUS Classic colours but would like to add that little touch of personalisation, or maybe you have chosen one of our Premium or Luxury body colours and have a very specific colour you would like the OPUS Decals to appear in then you can choose to have OPUS Logo Decal Customisation. We can offer a colour match service, or you can choose from one of thousands of colour options we have available. OPUS Decals come as standard in either White or Orange (depending on your base colour. Any other colour is considered an OPUS Logo Decal Customisation.



Alloy Wheels

OPUS Alloy wheels are certainly a firm favourite, in fact they are probably the most popular option we offer. Our classic 5 Spoke OPUS Alloy Wheels look great and have been chosen to specifically compliment the designs and colours of OPUS. The wheels are lightweight high performance sports wheels.



OPUS Spare Wheel and Carrier

Unfortunately accidents do happen, but with the OPUS Spare Wheel and Carrier you can be prepared. The carrier is a steel hinged retaining frame fixed to the underneath of your OPUS, and includes a spare wheel with tyre, based on your choice of wheel. So you can be confident that you are ready if for all eventualities.



Sun Awning

The OPUS sun awning is our most popular awning. For those sweltering days in the South of France, or even those rainy nights in the Scottish Highlands the OPUS Sun awning adds a little extra outside protection from the elements. It can keep you shaded and cool, it can keep you sheltered and dry giving you that little bit of extra outdoor space whatever mother nature throws at you.



OPUS Awning

Full Awning

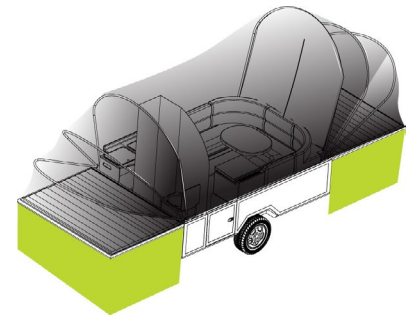
Extension Pods

Extension Pod Inner Privacy Tent

The OPUS Full awning provides a huge extra living area for you to enjoy. The full awning is custom made and is designed to compliment the shape and style of the OPUS itself. This is not a bolt on to the front of your OPUS but an extension giving you even more space away from the elements. And if that's not enough the Full awning is capable of taking two extension pods. The extension pods are designed for use with the OPUS Full Awning. The full awning is capable of taking two extension pods, which in turn can each take an inner privacy tent turning the space in to a sleeping area, transforming your OPUS in to a huge 10 berth camper. That is enough space for you, the kids, both sets of grandparents (in-laws optional) and whoever else might want to come along.

Side Skirts

These Velcro attached side skirts are designed to provide a large amount of outside sheltered storage. The Side skirts are made of matching tent fabric and attach with Velcro to the bed trays to create large dry storage areas at either end.







← OPUS®

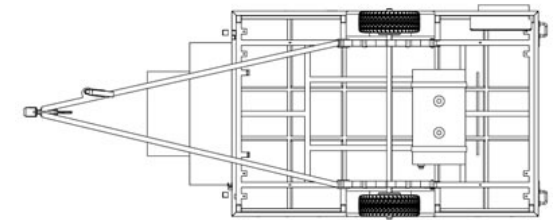
OPUS STANDARD Chassis

The Classic OPUS comes with a German built, BPW chassis as standard. This technically advanced, lightweight chassis features independent suspension, mechanical override brakes, a 50mm ball coupling, drop down stabiliser legs and a swing away jockey wheel. Lightweight, durable and robust, the BPW chassis is perfect for both the black tops and the dirt roads of Australia.



OPUS SEMI OFF ROAD Chassis

OPUS make an Australian off-road chassis, which is standard on all models except the Classic and Adventurer. Ideal for tough Australian conditions, the hot dip galvanised A-Frame draw bar is built using 100mm x 50mm steel, and incorporates a Trigg articulating poly block off road hitch, 9-leaf spring suspension, 10" off-road electric brakes and 15" off road wheel and tyres as standard, as well as Al-Ko drop down stabilising legs and a flip up jockey wheel. The chassis is both rugged and robust and will allow you to take your OPUS almost anywhere, safe in the knowledge that it is tough enough for the task in hand.



OPUS FULL OFF ROAD Independent Coil / Air Suspension

Convert your OPUS camper into a thoroughbred off-roader with this independent Air / Coil suspension system, the modern day answer for economical load protection and towability. Softer spring rates help protect both the OPUS and its contents. Featuring a dual rate system incorporating internal polyurethane bump stops that provide a much higher secondary rate of suspension before the coil spring becomes coil bound. Ideal for harsh conditions, particularly outback roads.





OPUS®

OPUS Options - INTERIOR

Leatherette Interior

The club lounge is elegantly upgraded by this beautiful Leatherette Interior. The cream coloured, hard wearing faux leather is easy to clean, durable and UV fade resistant. This timeless look is completed with the contrasting red piping that gives you a look of true luxury.



Portable Toilet

OPUS explorers often travel far and wide, and that means that sometimes amenities aren't too easy to come by. For that reason we can offer a portable toilet and portable toilet cubicle. A comfortable, practical and durable portable cartridge toilet that does not need to be connected to a drainage or water system.



OPUS Dometic Fridge

The OPUS Dometic fridge is an important part of any OPUS. Whether you want to keep your dinner cold, fruit fresh or chill some beers the OPUS Dometic fridge is a must. It is fitted with a wooden panelled top, that matches the rest of your OPUS interior and provides an additional work surface. Supplied with both 12v and Mains power leads. The OPUS Dometic Fridge provides Powerful cooling, up to 33°C below ambient temperature, which can be powered via 12V, 240v Mains or Gas. The OPUS Dometic Fridge has a huge 41 litre capacity and is virtually silent in operation.



Slide Out External Kitchen

The OPUS comes with a fantastic internal Smev kitchen, complete with gas cooker and sink, however should you prefer to do your cooking outside then this neat little slide out kitchen is the perfect addition to you. Fitted beneath the club lounge and accessible from outside the camper trailer at the rear of the vehicle this slide out kitchen incorporates a sink with an electric pump operated tap and a two burner gas Smev cooktop. Fit this slide out kitchen to cook outside while camping, under the shade of your OPUS' awning, at your leisure.



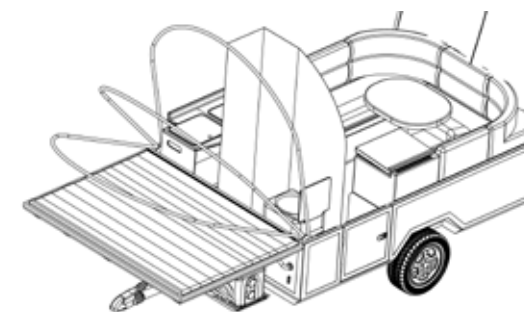
Duvalay Mattress

The Duvalay Memory Foam Sleeping System will enhance your sleeping experience in the OPUS. It's design combines both a memory foam topper with a double size doona cover. The Duvalay sleeping system will: make making the bed easy, provide total comfort and body support, stop doona tug of war or the doona falling off the bed at night and reduce the bedding that needs to be washed. The Duvalay rolls up neatly for compact storage, strips apart easily for washing and comes in a number of different colours.



Portable Toilet and Cubicle

OPUS explorers often travel far and wide, and that means that sometimes amenities aren't too easy to come by. For that reason we can offer a portable toilet and portable toilet cubicle. A comfortable, practical and durable portable cartridge toilet that does not need to be connected to a drainage or water system. The cubicle is lightweight, easy to store, east to set up and easy to use and includes a hinged privacy screen.



240v Portable Microwave

The OPUS 240v Portable Microwave packs in a lot of cooking power. The microwave fits perfectly under the kitchen worktop with a specific power supply location. The stainless steel microwave oven has a 20-litre capacity and 800w of power.



Motion Security Alarm

The OPUS Motion Security Alarm is perfect for protecting your second home. With Infra red detector it picks up movement to activate the alarm. The installation is 100% wire free with no damage to the interior. Built in siren and keypad.



LED Lighting

OPUS LED Lighting gives 120 degree light spread (compared to other LED awning lights giving only 60 degree light spread). Complete with dimmer function the strip light can be attached to the interior poles or placed behind the kitchen units. The 2 metre power cord means it can also be used in the full awning. Comes complete with interchangeable power supplies - 12v and 240v.



OPUS Options - ACCESSORIES

BPW WS3000 Stabilising Hitch Coupling

The BPW Winterhoff WS3000 Stabilising Hitch Coupling is a useful addition to any OPUS. It makes towing the OPUS even easier than the standard hitch coupling, if that is even possible. The Stabilising Hitch Coupling is designed to dampen snaking movement that can occur when towing and the pitching of the car/trailer combination. The WS3000 is really simple to use utilising a single lever system for all functions. If you are looking for the easiest towing experience possible then the addition of a WS3000 Stabilising Hitch Coupling is a great addition to your OPUS.



The Saracen WS3000 Hitch Lock

If you have decided upon upgrading your hitch coupling to the WS3000 Stabilising Hitch Coupling then you might want to add an extra level of security by including a Saracen WH Hitch Lock. The hitch lock is secure, easy to use, fast to fit and includes an integrated high security lock. An additional bonus to the Saracen WH Hitch Lock is that it is insurance approved, meaning that by using this every time you are now towing you will benefit from reduced insurance premiums.



Hitchlock Security Ball

Designed to block the OPUS 50mm coupling the Security Ball is placed in the Hitch when not being towed. If the hitch is left unblocked then thieves can use a ground down towball or hook to tow away your OPUS. The Security Ball prevents this to ensure your OPUS is safe as houses.



Nemesis Ultra Wheel Lock

The Nemesis Ultra Wheel Lock is one of the most secure wheel locks money can buy. It is the only wheel lock to ever be Thatcham Category 3 approved, meaning that it has stood up to one of the most rigorous tests possible, and even withstood the use of an angle grinder. This wheel lock from Full stop Security's Thatcham Approved range is UK Designed and Developed, has a patented design, is ultra lightweight, slim line and easy to use. It is suitable for both Steel and Alloy wheels and gets you a guaranteed 20% discount on insurance premiums from Safe Guard Insurance.



Mains Extension Lead – 25 Metre

Running your OPUS electrics from 240v Mains is by far the most effective. This 25 metre mains lead in outdoor orange cable is perfect for connecting your OPUS' electrics to any UK 240 volt site hookup. The mains lead consists of site mains plug, caravan mains socket and 25 metres of 3 core mains cable rated at 25amp @ 240v AC.



12 Volt 110 Ah Leisure Battery

A leisure battery is a really useful addition to your OPUS. Leisure batteries are specifically manufactured for the demands of constant low-current drain use as apposed to the short bursts of high power given by a car battery. This is what sets a leisure battery apart from a standard large battery like a car battery. As we know OPUS explorers venture all over the place, and we understand that sometimes mains power is not going to be available. So when you are well of the beaten track it be pretty useful to maintain lighting, heating and refrigeration, and that is where a leisure battery becomes vital. Because eating gone of food and drinking warm beer in the dark is far from ideal.



Enduro Remote Control Motor Mover

We all know OPUS is light weight, but it can still be quite tricky to move, especially if you are alone, on rough terrain or need to move up a slope. The best solution for making manoeuvring and hitching a breeze is the addition of a remote control motor mover. Moving your OPUS then couldn't be easier, simply engage the motors onto the tyres using a crank lever, and you can then move your OPUS around via remote control. Enduro is one of the biggest names in the Motor Mover Market and is controlled by Quattro Intelligent Electronics. The Enduro motor mover uses 12v motors (leisure battery required) to move your OPUS. It is capable of rotating 360° and can move an OPUS up a 1-in-4 slope. The price includes factory fitting of the Enduro Remote Motor Mover to your OPUS.



Water and Waste Carriers

These roll-along water and waste tanks are a really useful addition to your OPUS. The 23 litre capacity of the water carrier gives you the ability to store enough water to wash your hands, brush your teeth and rinse your salad when running fresh water is not so easy to come by. All the grey water wasted is then stored in another roll-along tank for easy disposal. The OPUS is pre fitted with external storage space for one of each of these roll-along tanks making them easy to store and transport.



OPUS Alloy Roof Bars x 2

One of the best features of OPUS is its load carrying ability. The OPUS lid is fitted with universal roof bar fitting brackets. This set of two high quality lockable roof bars made from lightweight aluminium with smooth end moulded caps.



Bike Carrier

Kayak Carrier

Taking your OPUS on a mountain biking adventure? Fancy a paddle down the river? With these carriers you can take your mountain bikes or kayaks with you when you go away in your OPUS. The OPUS is capable of taking up to two carrier. Made from lightweight aluminium the Bike and Kayak Carriers are specially designed to allow secure fixing of your chosen item to your roof bars. Roof bars are required for the fixing of these carriers.



Corner Steady Feet x 4

If you are planning to spend the night on soft ground you may find that your corner steady legs can dig into the ground. These clip on plastic corner steady feet spread the weight over a greater surface area, meaning your corner steady legs are a lot less likely to sink into the ground.





OPUS®



OPUS®



OPUS®

← OPUS®



OPUS®





The logo consists of the word 'OPUS' in a stylized, outlined blue font. The letter 'O' is unique, featuring a blue arrowhead pointing to the left that forms its left side.

www.opuscamper.co.za • enquiries@opuscamper.co.za • +27 12 998 9340